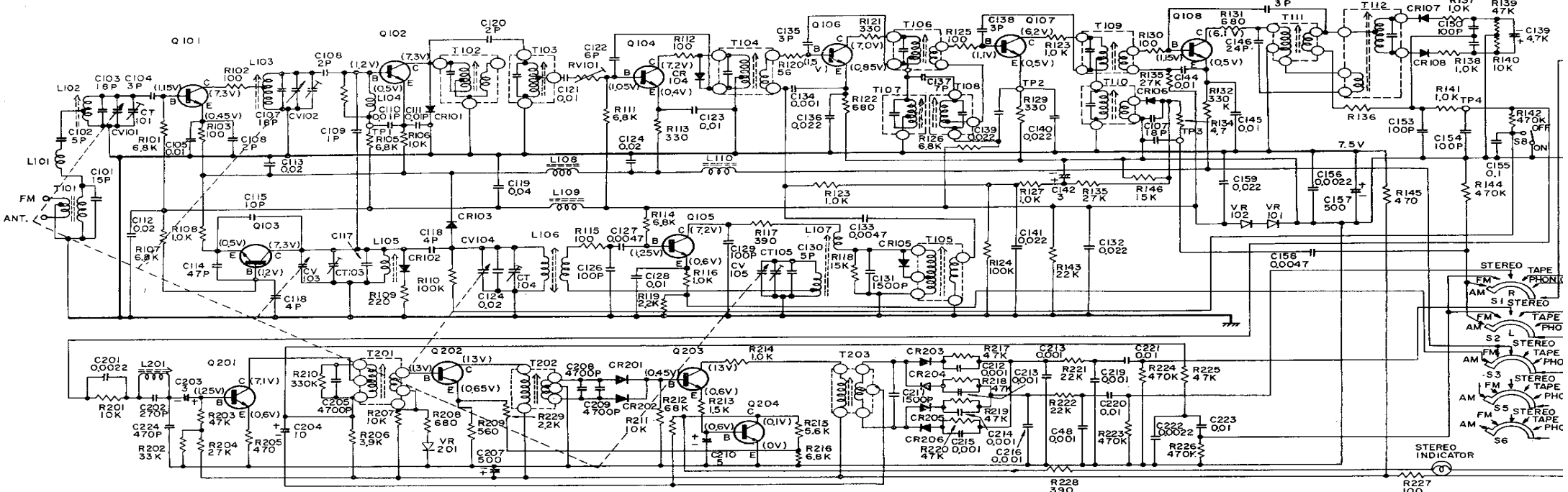
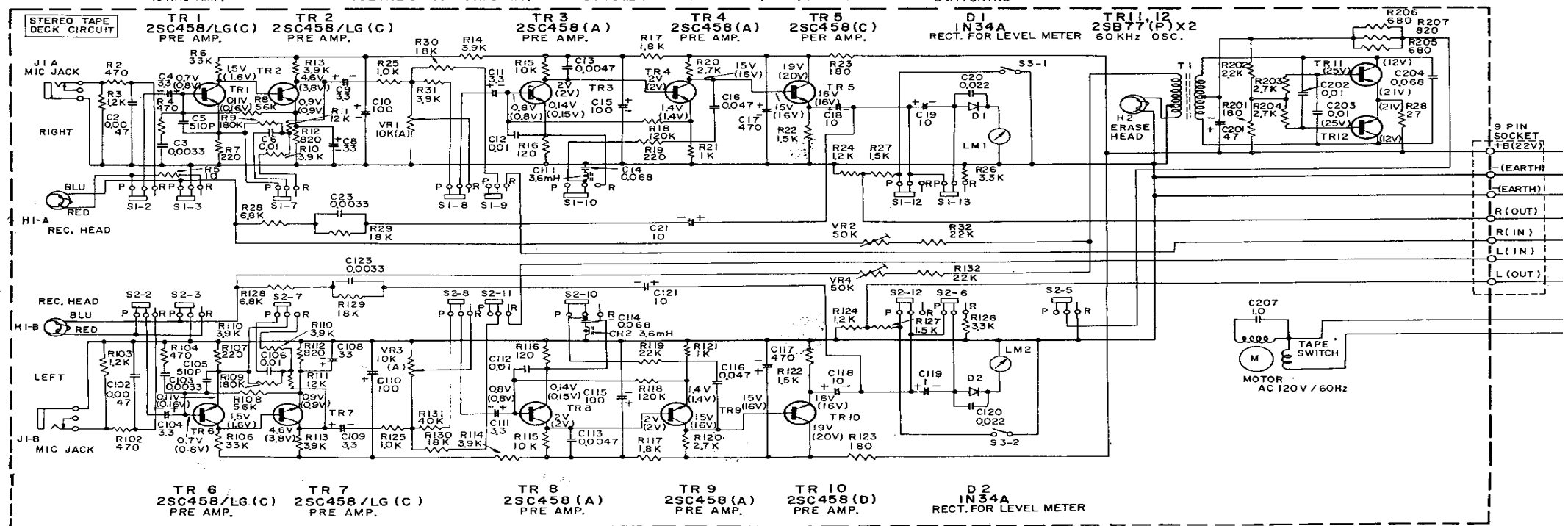


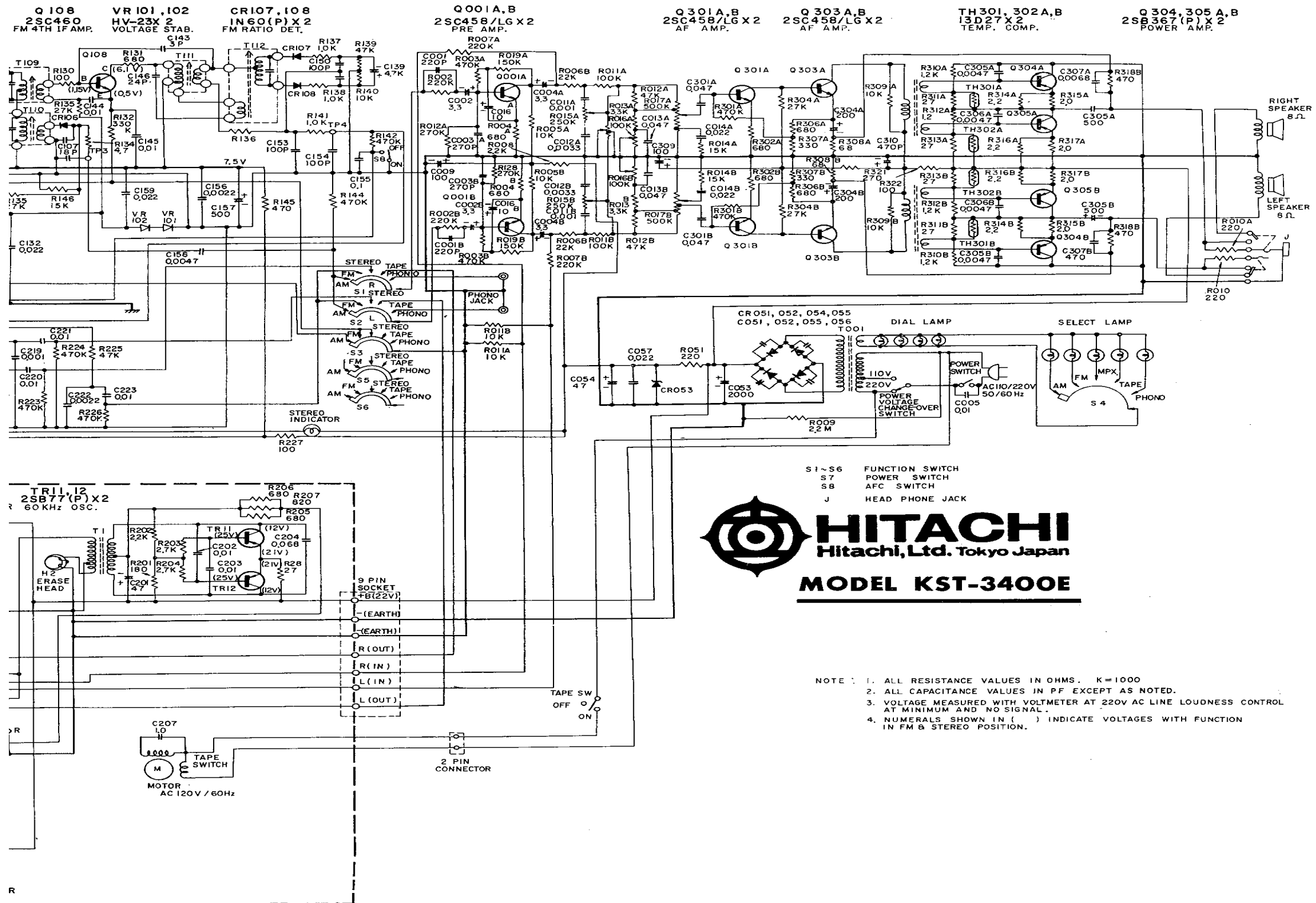
- Q 101** 2SC535 FM RF AMP.
Q 103 2SC535 FM OSC.
Q 102 2SC535 FM MIX.
CR103 1S 85 FM AFC.
CR101 IN 60 FM LIMIT. TEM. COMP.
CR102 IN 60 FM 1ST IF AMP.
Q104 2SC460 FM 1ST AMP.
Q 105 2SC460 AM CONV.
CR104 IN 60 FM LIMIT.
Q106 2SC460 FM 2ND IF AMP.
CR105 IN 60 AM AGC.
Q107 2SC460 FM 3RD IF AMP.
CR106 IN 34A AM DET.
Q 108 2SC460 FM 4TH IF AMP.
VR 101, 102 HV-23X 2 VOLTAGE STAB.
CR107, 108 IN 60(P) X 2 FM RATIO DET.




- Q 201** 2SC458 19KHz AMP.
VR 201 HV-23 VOLTAGE STAB.
Q 202 2SC458 19KHz AMP.
CR 201, 202 IN 34A X 2 DOUBLER.
Q 203 2SC458 38KHz AMP.
Q 204 2SC458 DC AMP.
CR 203, 204, 205, 206 IN 60(P) X 4 SWITCHING.



- TR 1** 2SC458/LG(C) PRE AMP.
TR 2 2SC458/LG(C) PRE AMP.
TR 3 2SC458(A) PRE AMP.
TR 4 2SC458(A) PRE AMP.
TR 5 2SC458(C) PER AMP.
TR 6 2SC458/LG(C) PRE AMP.
TR 7 2SC458/LG(C) PRE AMP.
TR 8 2SC458(A) PRE AMP.
TR 9 2SC458(A) PRE AMP.
TR 10 2SC458(D) PRE AMP.
D1 IN 34A RECT. FOR LEVEL METER.
D2 IN 34A RECT. FOR LEVEL METER.




HITACHI
 Hitachi, Ltd. Tokyo Japan
MODEL KST-3400E

- S1~S6 FUNCTION SWITCH
- S7 POWER SWITCH
- S8 AFC SWITCH
- J HEAD PHONE JACK

- NOTE :
1. ALL RESISTANCE VALUES IN OHMS. K=1000
 2. ALL CAPACITANCE VALUES IN PF EXCEPT AS NOTED.
 3. VOLTAGE MEASURED WITH VOLTMETER AT 220V AC LINE LOUDNESS CONTROL AT MINIMUM AND NO SIGNAL.
 4. NUMERALS SHOWN IN () INDICATE VOLTAGES WITH FUNCTION IN FM & STEREO POSITION.